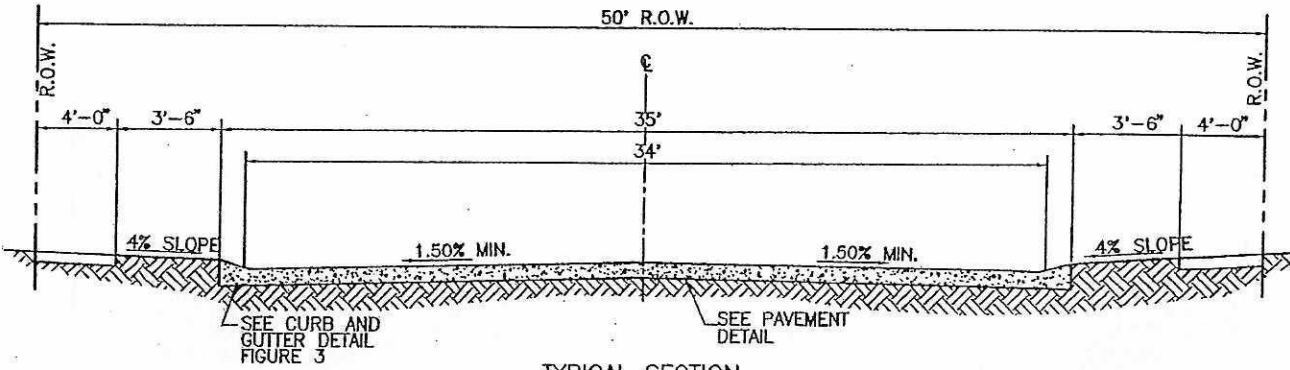


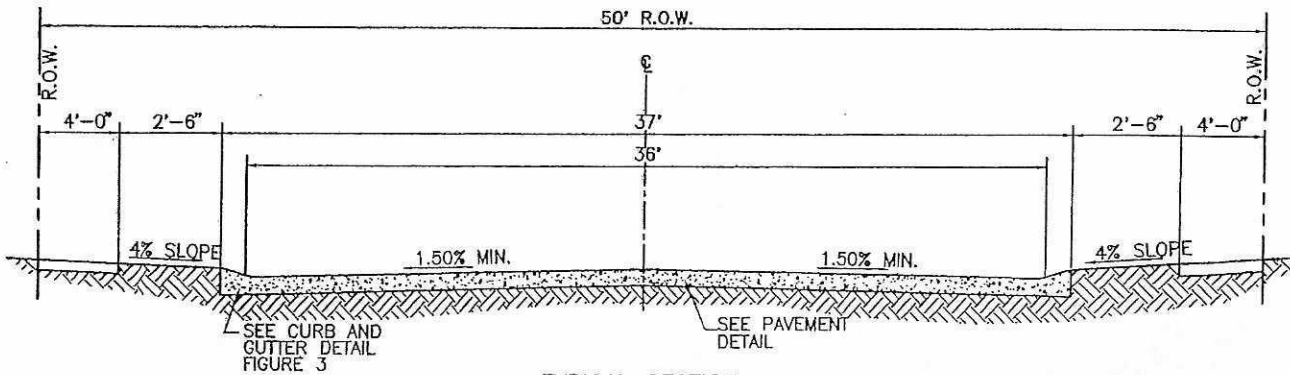
TYPICAL SECTION

MARGINAL ACCESS STREET



TYPICAL SECTION

LOCAL STREET



TYPICAL SECTION

RESIDENTIAL COLLECTOR STREET

FIGURE 6